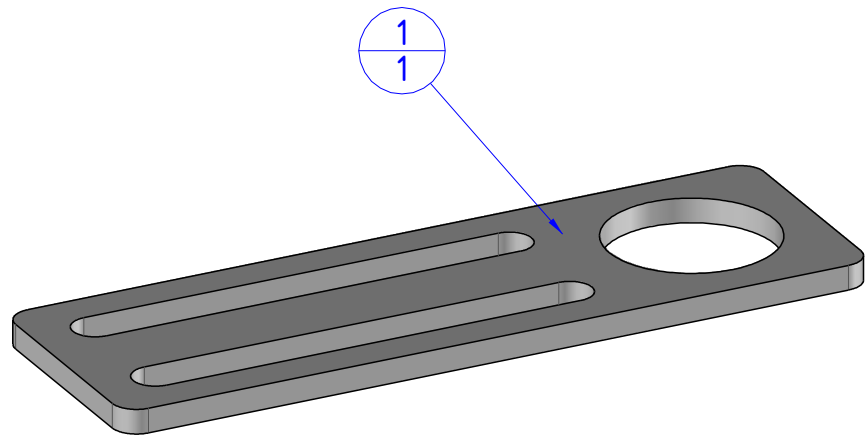
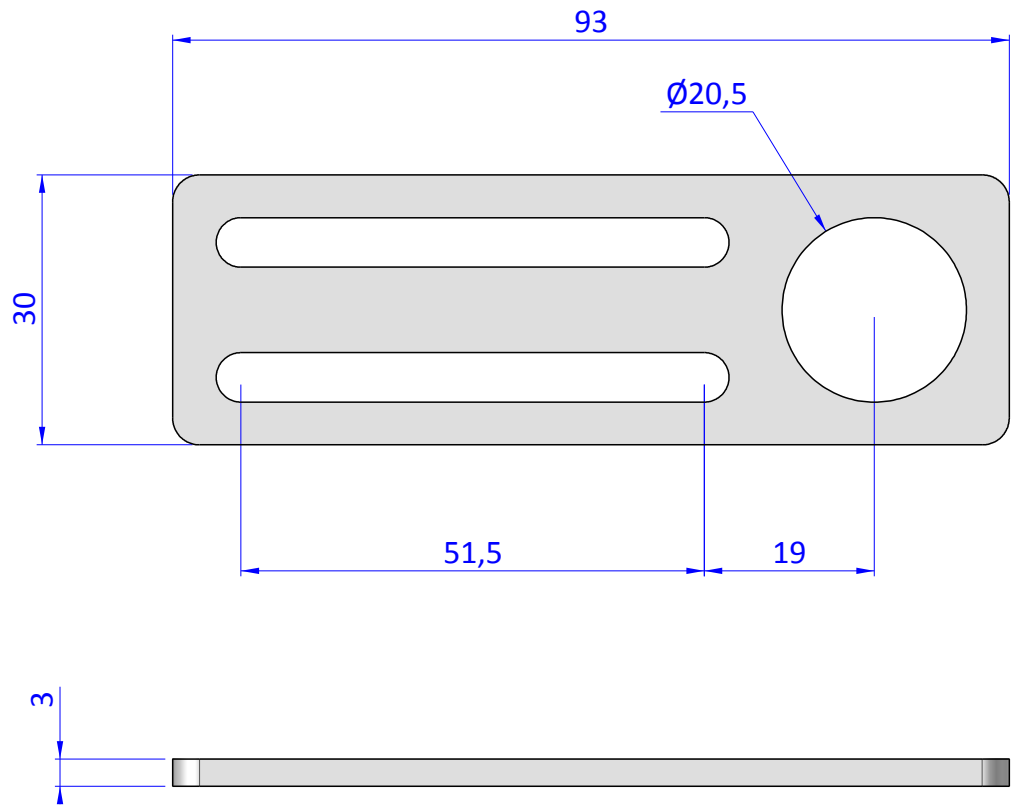


THE PROPERTY OF THE DRAWING IS ESTABLISHED BY LAW. IT IS FORBIDDEN TO PRODUCE OR SHOW IT TO THIRD PART. WITHOUT A WRITTEN AGREEMENT.

Item	Name	Q.ty
1	04.20.20	1



Format A4 UNI 936-76	GENERAL TOLERANCE UNI - ISO 2768 CLASSE f	DESCRIPTION CA.04.20.20		DESIGNED FROM FP SERVICES	REVIEW A
				DATE 30/04/2016	WEIGHT 0,044kg
				CODE CA.04.20.20	